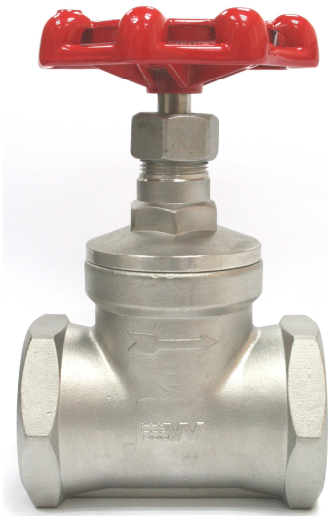


# WATERFRONT

## Series 511 Stainless Steel Globe Valve - BS EN10226-1 (Screwed)



### APPLICATION

\* For Potable Water, Sea Water, Corrosive Fluid

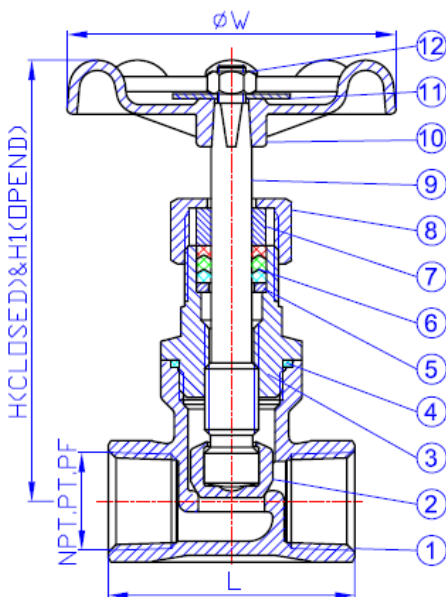
\* For Regulating Of Flow Rate

### PRESSURE RATING

16 bar working pressure

24 bar Test Pressure

## SPECIFICATIONS



### MAJOR COMPONENT

REF	PARTS	MATERIALS
1	Body	316S.S. (BSEN 10088)
2	Disc	316S.S. (BSEN 10088)
3	Bonnet	316S.S. (BSEN 10088)
4	Gasket	PTFE
5	Whorl Gasket	304 Stainless Steel
6	Packing	PTFE
7	Gland	304 Stainless Steel
8	Cap Nut	316S.S. (BSEN 10088)
9	Stem	316S.S. (BSEN 10088)
10	Handwheel	Aluminium
11	Name Plate	Aluminium
12	Nut	304 Stainless Steel

### DIMENSIONS (in mm)

DN	15	20	25	32	40	50
L	52	66	76	86	94	118
H	95	100	110	130	130	139
H1	106	114	127	150	154	170
W	70	80	80	90	100	100
Weight	0.34kg	0.45kg	0.66kg	0.98kg	1.27kg	2.03kg

### WATERFRONT FLUID CONTROLS WATERFRONT ENGINEERING SERVICES

Unit 6, Elderpark Workspace, 100 Elderpark Street, Glasgow, G51 3TR.

Tel: (44) 0141-5856750 Fax: (44) 0141-5856751

Website:

[www.waterfrontfluidcontrols.co.uk](http://www.waterfrontfluidcontrols.co.uk)

[www.waterfrontengingservices.co.uk](http://www.waterfrontengingservices.co.uk)