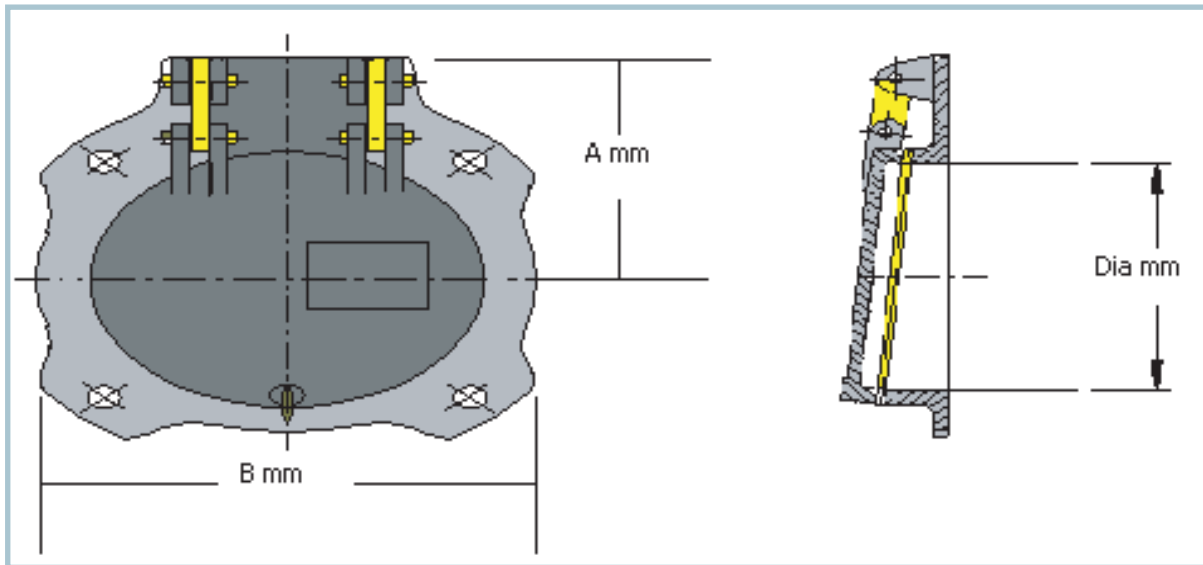


## Flap Valve



### CONSTRUCTION

**Frame** - Door - Hinge / Door Brackets

Manufactured in Ductile Iron

**Hinge Links** - Manufactured in Phosphor bronze

**Hinge Pins** - Stainless steel to BS 970 Gr 316

**Seating Faces** - Manufactured in phosphor bronze, machined to close tolerances.

**Size Range** - 80mm up to 1000mm Dia

**Coating** - Frame and door coated with high build epoxy as standard. Suited for the most aggressive duties

DIA mm	B mm	A mm
80mm	200mm	135mm
100mm	220mm	145mm
150mm	285mm	175mm
200mm	340mm	195mm
225mm	370mm	210mm
250mm	400mm	220mm
300mm	455mm	240mm
350mm	520mm	322mm
375mm	550mm	335mm
400mm	580mm	370mm
450mm	640mm	440mm
500mm	715mm	465mm
525mm	740mm	478mm
600mm	840mm	515mm
700mm	910mm	600mm
750mm	970mm	625mm
800mm	1025mm	650mm
900mm	1125mm	700mm
1000mm	1255mm	750mm

### WATERFRONT FLUID CONTROLS LTD

[www.waterfrontfc.co.uk](http://www.waterfrontfc.co.uk)

The Hub (Unit 8), Digital Media Quarter, Pacific Drive, Glasgow, G51 1EA

TEL: +44 (0)141 427 7266 \* FAX: +44 (0)141 427 2706 \* E MAIL: SALES@WATERFRONTFC.CO.UK

Company Reg No: 305356 \* VAT Reg No: 894898138

**Waterfront** offers a quality service in Special Design Applications, Products and Installation with over 25 years experience in the Water and Industrial market sectors. It is the Company's Policy to be at the forefront of clients' requirements through the application of advances in materials and computer design technology for the benefit of its customers.